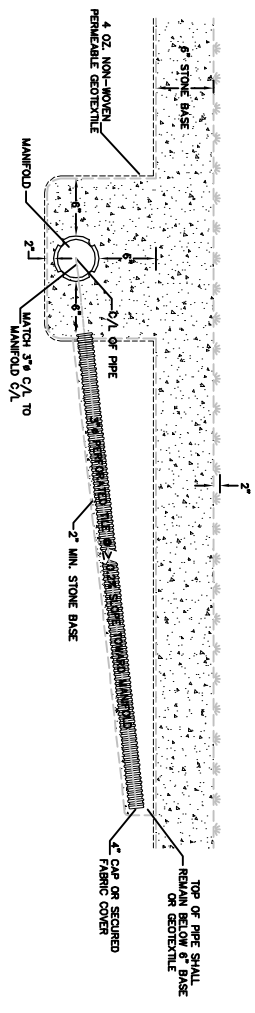
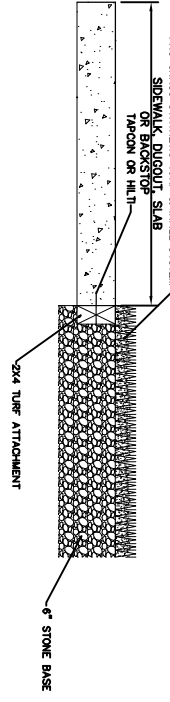


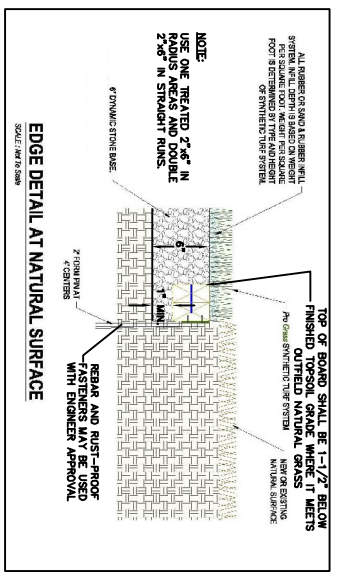
3" Connection Detail NO SCALE



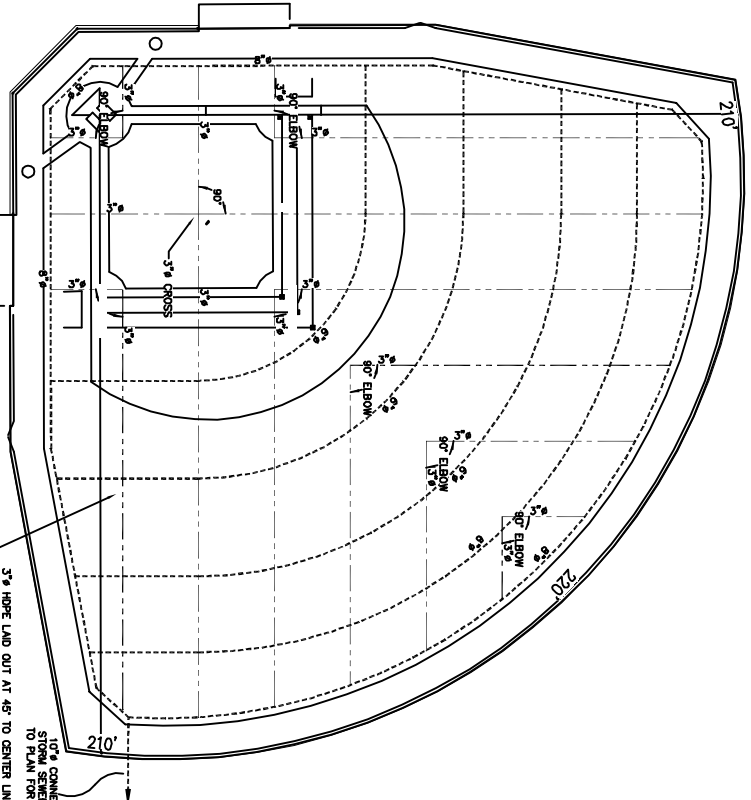
Curb & Nailer Detail (AT POINTS MATCHING UP TO PROPOSED CONCRETE SIDEWALK DUGOUTS, OR BACKSTOP CURB) NO SCALE



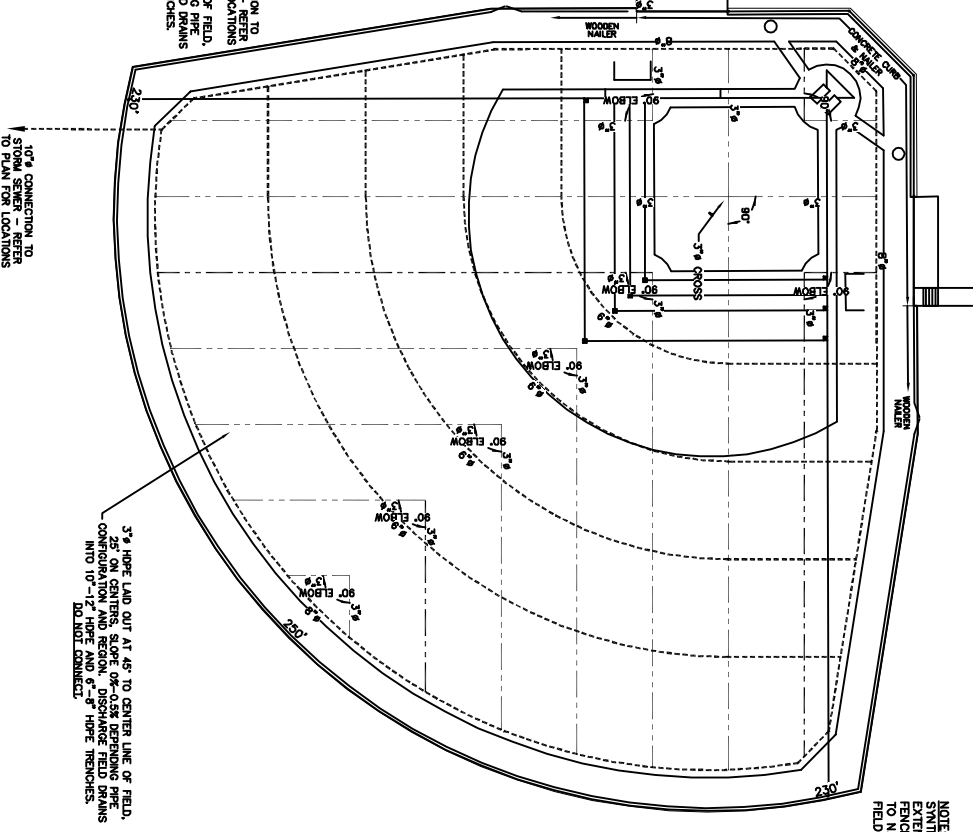
FIELDS 1 - 4



FIELDS 5 & 6

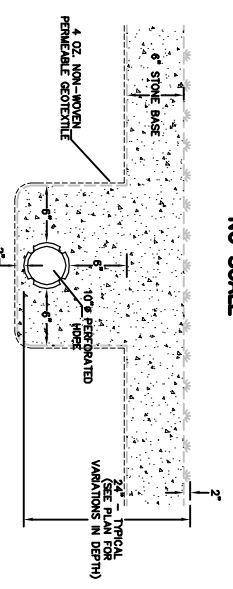


FIELDS 7 & 8

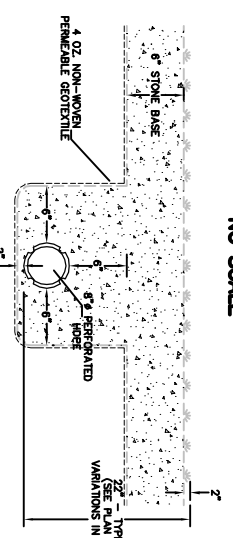


NOTE:
SYNTHETIC TURF TO
EXTEND 1' OUTSIDE
FENCE & FASTENED
ON ALL FIELDS.

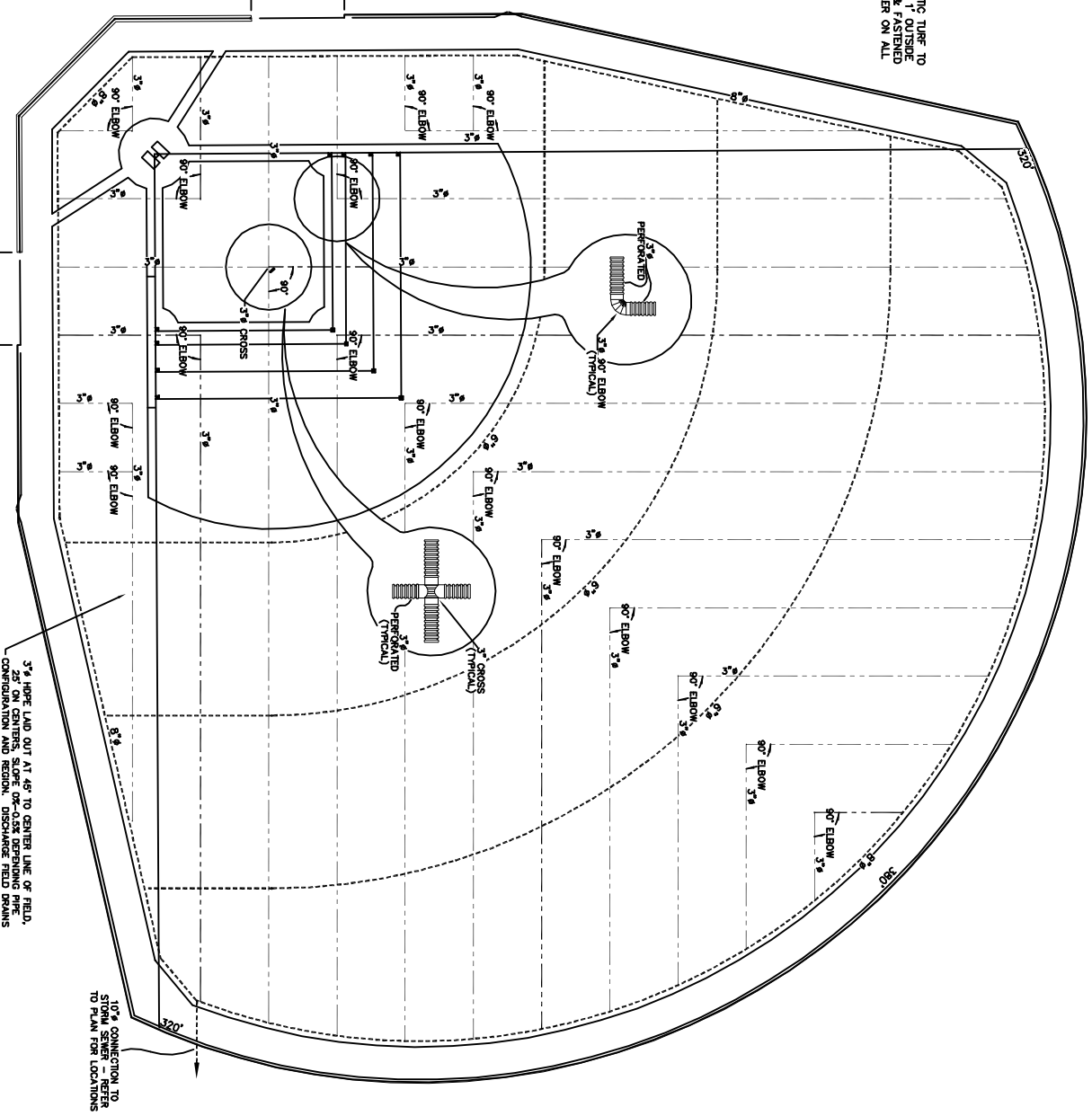
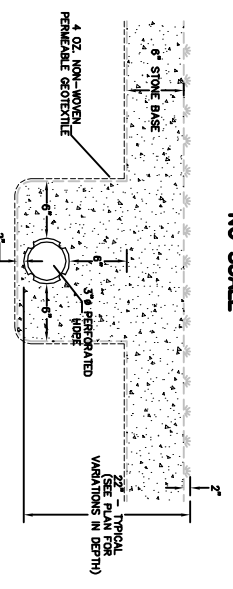
10" Manifold Detail NO SCALE



8" Manifold Detail NO SCALE



3" Drain Tile Detail NO SCALE



NOTE:
SYNTHETIC TURF TO
EXTEND 1' OUTSIDE
FENCE & FASTENED
ON ALL FIELDS.

REUSE OF DOCUMENTS
THIS DOCUMENT HAS BEEN DEVELOPED FOR A SPECIFIC APPLICATION AND NOT FOR GENERAL USE. THEREFORE IT MAY NOT BE USED WITHOUT THE WRITTEN APPROVAL OF BAUDHUIN INCORPORATED. UNAPPROVED USE IS THE SOLE RESPONSIBILITY OF THE UNAUTHORIZED USER.

**CONSTRUCTION
DETAILS**

Woodside Sports Complex

**Baudhuin
Incorporated**
Site Engineering • Surveying • Soil Science

55 S. 3RD AVENUE
P.O. BOX 105
STURGEON BAY, WI
54235
PHONE: 820-743-8211
FAX: 820-743-8217

DATE: 05/11/12	PROJECT DIRECTORY: MAUSTON 21185	DRAWN BY: D.V.B.
PLAN NAME: 185-DET	REVISION DATE: 9-28-12	DESIGNED BY: P.J.H.
SCALE: NONE		DATE: 3-8-10
		JOB NUMBER: 21185